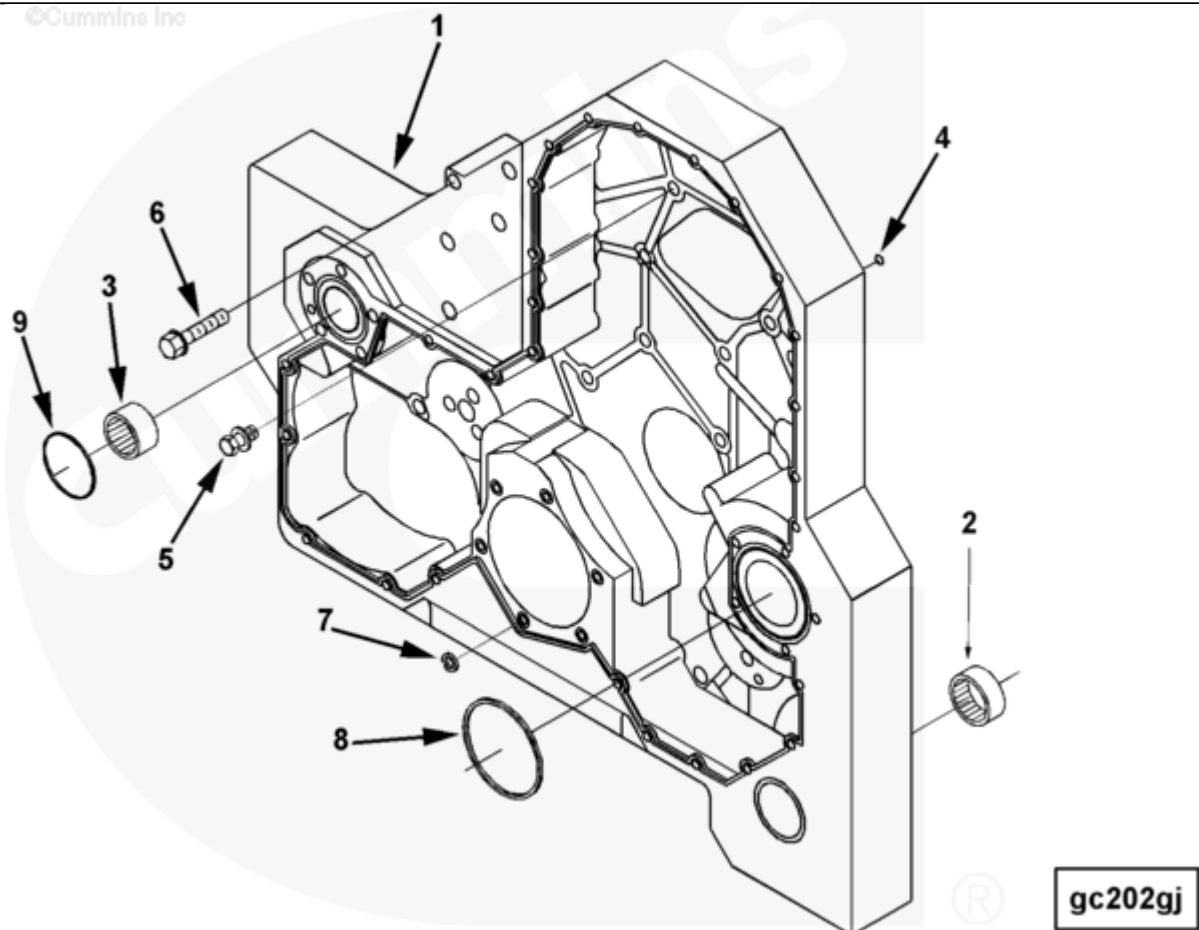




Parts Catalog - Option Detail

Electronic Parts Catalog - Option Detail				
Option	Group	Graphic	Film Card	Date
BB2762-02	01.06	gc202gj	II	23-DEC-03
Engines	ISM CM570, ISM CM570/870, ISM CM875, ISM CM876, ISM CM876 E, ISM11 CM876 M103, ISM11 CM876 SN, M11 CELECT, M11 CELECT PLUS, M11 MECHANICAL, QSM11 CM570, QSM11 CM876			



SMALL | MEDIUM | LARGE

Cart	Ref No	Part Number	Part Description	Required	Remarks
View My Cart					
		BB2762-02	Gear Housing		
					Gear Housing
<input type="checkbox"/>		4906948	Gear Housing	1	
	1	3102777	Gear Housing	1	

<input type="checkbox"/>	2	3025354	Needle Bearing	1	
<input type="checkbox"/>	3	3893913	Needle Bearing	1	
<input type="checkbox"/>	4	3883150	O-Ring Seal	1	
<input type="checkbox"/>	5	3818060	Captive Washer Cap Screw	11	M10 x 1.50 x 25
<input type="checkbox"/>	6	3820186	Captive Washer Cap Screw	5	M10 x 1.50 x 50
<input type="checkbox"/>	7	3201659	Rectangular Ring Seal	6	
<input type="checkbox"/>	8	3820945	Rectangular Ring Seal	1	
<input type="checkbox"/>	9	3820946	Rectangular Ring Seal	1	

© 2019 Cummins Inc., Box 3005, Columbus, IN 47202-3005 U.S.A.
Terms of Use and Disclaimers | Recommended System Requirements
Need Assistance? Please click on the Contact Us button in the top right corner of any page.